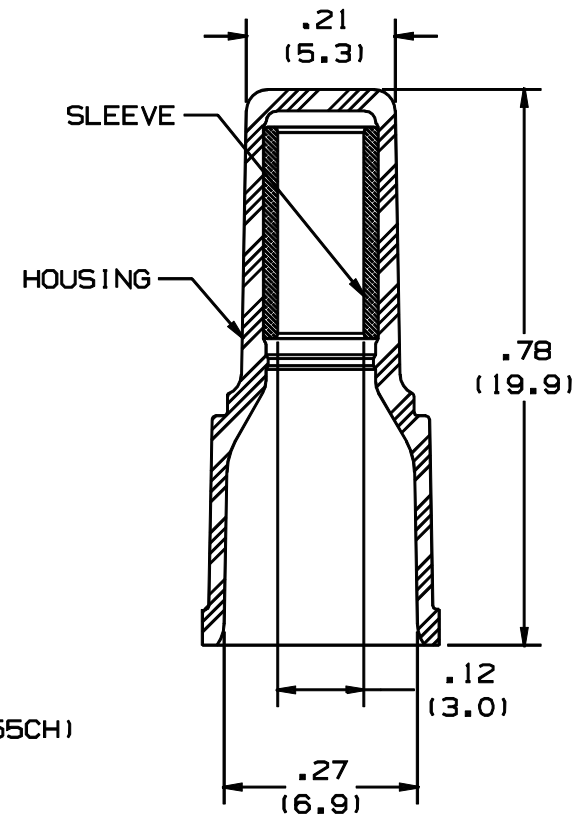


THIS COPY IS PROVIDED ON A RESTRICTED BASIS AND IS NOT TO BE USED IN ANY WAY DETRIMENTAL TO THE INTERESTS OF PANDUIT CORP.

WIRE SIZE	NUMBER OF WIRES	NUMBER OF ADDITIONAL WIRES OF ONE SIZE			
		#22	#20	#18	#16
#22	1	1-4	1-3	1-2	1
	2	1-3	1-2	1-2	1
	3	1-2	1	1	1
	4	1	0	0	0
#20	1	1-3	1-3	1-2	1
	2	1-2	1-2	1	1
	3	1	1	0	0
#18	1	1-3	1-2	1-2	1
	2	1-2	1	1	0
#16	1	1-3	1-2	1	1
#14	1	1	1	0	0

- NOTES: 1. USED FOR:
 A. 600V MAX VOLTAGE RATING
 B. 221°F (105°C) MAX TEMP RATING
 C. FOR SOLID OR STRANDED COPPER WIRE
 D. SEE CHART FOR WIRE COMBINATIONS
2. INSTALLATION TOOLS:
 A. UL LISTED : CT-100, CT-500, CT-550
 : CT-1550, CT-1551, CT-2400 (CT-2455CH)
 B. CSA CERTIFIED : CT-500
 C. PANDUIT APPROVED : CT-160, CT-400
3. WIRE STRIP LENGTH: 7/16 ^{+1/32} .0 (11.1 ⁺⁸ .0)
4. MATERIAL:
 A. HOUSING : NATURAL NYLON (TRANSLUCENT)
 B. SLEEVE : TIN PLATED BRASS
5. PACKAGING:
 A. STD : -C = 100 B. BULK: -M = 1000
6. DIMENSIONS IN BRACKETS ARE IN MILLIMETERS OR mm²
7. TWIST ENDS OF STRIPPED WIRE TOGETHER BEFORE INSERTING INTO WIRE JOINT.
8. TOLERANCE: ± .03"



LISTED
587H
E52164

CERTIFIED
LR31212

A41342_04

04	5/01	KMD		ADDED NOTE 8				 TINLEY PARK, ILLINOIS NYLON INSULATED WIRE JOINT JN218-216
03	11/97	TM	RLS	UPDATED INSTALLATION TOOLS	06401	DH	LA	
02	4/93	BK	RS	UPDATED DRAWING	01557	DH	LA	
REV	DATE	BY	CHK	DESCRIPTION	ECN #	PM	CUST	DRAWN BY: DAW CHK'D: SCALE: NONE DRAWING NO: A41342